



# Wide Performance Ionizing Blower

## AEROSTAT<sup>®</sup> FPD

The Aerostat FPD series of products has been designed to control electrostatic charges in flat panel assembly and electronics manufacturing applications requiring stable operation with exceptionally fast discharge time performance. The FPD ionizing blowers are built for reliability and simplicity.

Aerostat FPD utilizes reliable, low maintenance AC corona technology with high flow rate fans to provide fast static discharge performance. The inherent stability of the Aerostat FPD reduces maintenance frequency and a built in emitter cleaner reduces maintenance time. Our unique geometry and airflow control provide consistent performance, meeting the demands of product assembly operations.

The Aerostat FPD's self-monitoring feature assures the user of controlled, consistent ion output. A light indicates both that power is applied to the unit and that ions are being produced. Performance is enhanced by use of Simco-Ion's industry leading and highly reliable AC technology.

### Features


- High output, high velocity fans
- Inherently balanced ionization
- Ionization indicator light
- Built-in emitter point cleaner
- Optional fan air filter

### Benefits

- Extremely fast static charge neutralization over a wide horizontal or vertical application area
- Offers consistent performance with low maintenance frequency
- Visual indication that the target product is being neutralized
- Continued blower operation will require little maintenance
- Protection for internal components from environmental contamination



## Specifications

<b>Input Voltage</b>	120 VAC, 60 Hz: 0.3A (2-fan); 0.4A (3-fan); 0.5A (4-fan) 230 VAC, 50 Hz: 0.2A (2-fan); 0.2A (3-fan); 0.3A (4-fan)
<b>Balance</b>	0 ±10V
<b>Discharge</b>	1.0 sec @ 1' center blower position; fan high(1000-100V) <sup>1</sup>
<b>Switch</b>	ON/OFF switch
<b>Fan Speed</b>	Recessed fan speed control
<b>Indicator</b>	Ionization ON light
<b>Audible Noise</b>	59-69 dBA (max), measured @ 2' (0.6m) from blower
<b>Air Velocity<sup>2</sup></b>	Fan Speed: 1 ft 2 ft 3 ft 4 ft 5 ft Low: 500 350 250 200 150 High: 1000 700 500 400 300
<b>Operating Env.</b>	Temperature 50-90°F (10-32°C); humidity 30-70% RH, non-condensing
<b>Ozone</b>	Equilibrium concentration <0.02 ppm
<b>Air Filter</b>	30 ppi open cell polyurethane foam (optional)
<b>Mounting</b>	Stainless steel bracket
<b>Enclosure</b>	Powder-coated white Enamel Aluminum
<b>Weight</b>	2-fan: 10 lb (4.5 kg); 3-fan: 13 lb (5.9 kg); 4-fan: 16 lb (7.3 kg)
<b>Dimensions</b>	2-fan: 23.25L x 4.0H x 6.25D in. (590 x 100 x 160 mm); 3-fan: 35.5L x 4.0H x 6.25D (900 x 100 x 160 mm); 4-fan: 47.75L x 4.0H x 6.25D (1215 x 100 x 160 mm)
<b>Warranty</b>	Two year limited warranty
<b>Certifications</b>	

1. Tested in accordance with ANSI /ESD STM3.1-2006.

2. Air Velocity in FPM measured at center of air stream.

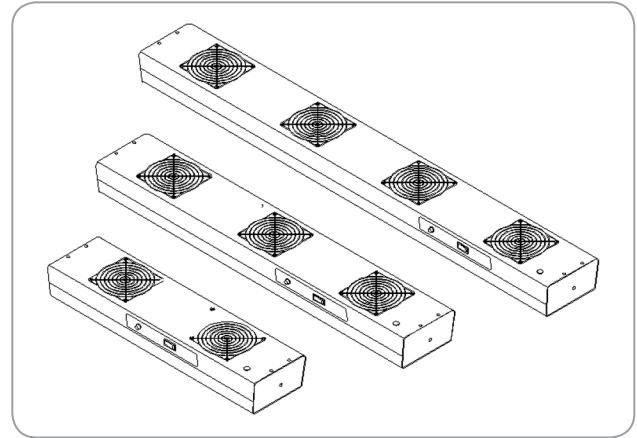
## Ordering Information

4011005	Aerostat FPD 2-fan Ionizer, 120/230V, 50/60 Hz, North America
4011279	Aerostat FPD 2-fan Ionizer, 120/230V, 50/60 Hz, CE, Continental Europe
4011280	Aerostat FPD 2-fan Ionizer, 120/230V, 50/60 Hz, CE, United Kingdom
4016010	Aerostat FPD 2-fan Ionizer, 120/230V, 50/60 Hz, CE, China
4011007	Aerostat FPD 3-fan Ionizer, 120/230V, 50/60 Hz, North America
4011281	Aerostat FPD 3-fan Ionizer, 120/230V, 50/60 Hz, CE, Continental Europe
4011282	Aerostat FPD 3-fan Ionizer, 120/230V, 50/60 Hz, CE, United Kingdom
4016011	Aerostat FPD 3-fan Ionizer, 120/230V, 50/60 Hz, CE, China
4011009	Aerostat FPD 4-fan Ionizer, 120/230V, 50/60 Hz, North America
4011283	Aerostat FPD 4-fan Ionizer, 120/230V, 50/60 Hz, CE, Continental Europe
4011284	Aerostat FPD 4-fan Ionizer, 120/230V, 50/60 Hz, CE, United Kingdom
4016012	Aerostat FPD 4-fan Ionizer, 120/230V, 50/60 Hz, CE, China
4710017	Aerostat Air Filter Retainer (one per fan required)
4100810	Aerostat Air Filter (6 pack)

## FPD Coverage Areas

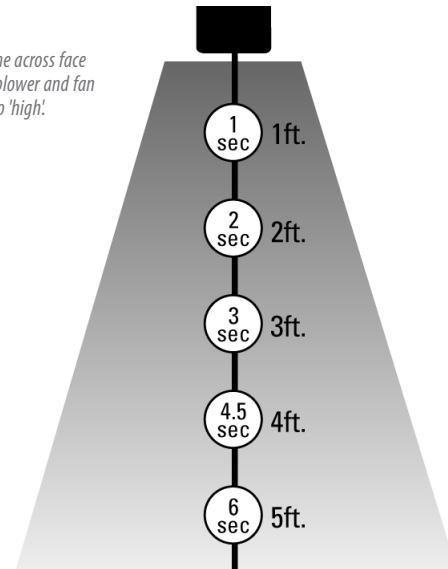
The Aerostat FPD ionization blower comes in either 2-fan, 3-fan or 4-fan chassis lengths. Each length is designed for optimal coverage area and a variety of applications:

Blower	Overhead Applications	Benchtop Applications
2-fan	2'W x 2'L (0.6m x 0.6m)	2'W x 5'L (0.6m x 1.5m)
3-fan	2'W x 3'L (0.6m x 0.9m)	3'W x 5'L (0.9m x 1.5m)
4-fan	2'W x 4'L (0.6m x 1.2m)	4'W x 5'L (1.2m x 1.5m)



## Discharge Times (typical)

Discharge time across face of overhead blower and fan speed is set to 'high'.



**SIMCO ION**™  
An ITW Company

DS-AeroStat FPD\_V4 - 7/15  
© 2015 Simco-Ion  
All rights reserved.

**Simco-Ion**

Technology Group  
1601 Harbor Bay Pkwy, Ste 150  
Alameda, CA 94502

Tel: +1 (800) 367-2452 (in USA)

Tel: +1 (510) 217-0600

ioninfo@simco-ion.com

www.simco-ion.com