



QuadBarTM Ionizer

MODEL 4630

Simco-Ion's QuadBar Ionizer Model 4630 is the first corona ionizer to provide safe, effective static charge control in the ambient air inside a process chamber. Its unique quadropole configuration ensures effective ionization as close as 3 inches (7.6 cm) from the product. The 4630's compact size is designed to fit easily into the tight confines of any process equipment, and its ability to run on 24 VDC input power means it can connect to a tool's power source. In the rare event of a system failure, the QuadBar's status output notifies the process tool controller or a Facilities Monitoring System (FMS).

Simco-Ion developed the QuadBar to be the cleanest ionizer of its kind. When powered by 24 VDC, the QuadBar meets ISO 14644-1 Class 1 cleanliness levels..

Features






- Quadropole configuration with IsoStat[®] technology
- Compact size
- 24 VAC or 24 VDC operation
- Available with single crystal silicon emitter points
- Alarm output to FMS or process tool controller

Benefits

- Provides fast discharge and stable balance at distances as close as 3 inches (7.6 cm) from the product
- Fits into the tight confines of any process tool
- Connects to a 24 VAC or 24 VDC power supply or operates with Ion controller or small transformer
- Emitter points provide the cleanest emitter point material for ionization, meeting ISO 14644-1 Class 1 standards when operated with 24 VDC power, and ISO 14644-1 Class 2 standards when operated with 24 VAC power.
- Ensures immediate notification of catastrophic system failure



Specifications

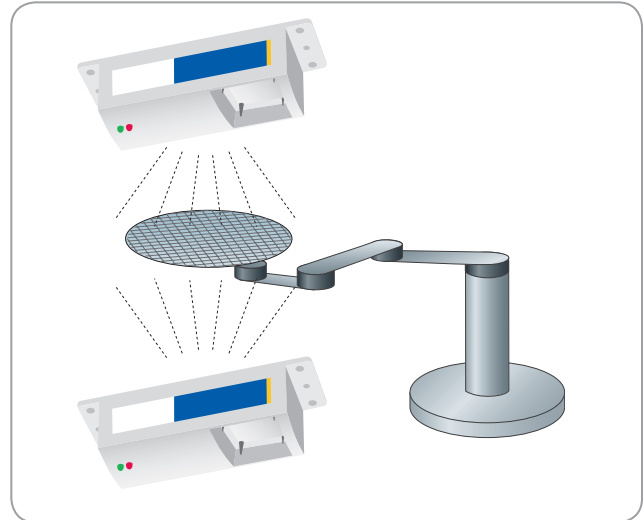
Model 4630 QuadBar	
Input Voltage	24 VAC 35 mA via 14-1536 or 14-1537 transformer, Model 4030 controller or properly grounded 24 VAC power supply or 24 VDC power from tool power supply (but with reduced ion output)
Balance	±50V @ 6" and 12" (30.5 cm) directly under emitter points with airflow (80-100 fpm)
Discharge	<30 sec @ 12" (30.5 cm) directly under the emitter points with airflow (80-100 fpm)
Ion Emission	Steady-state DC
Emitter Points	Single crystal silicon standard, field-replaceable, 2-3 year estimated life
Cleanliness	ISO Class 1 when powered with 24 VDC; ISO Class 2 when powered with 24 VAC with 14-1536 transformer or Model 4030 Controller
Coverage Area	12" x 12" (30.5 x 30.5 cm)
Airflow	80-100 fpm recommended.
LED Indicators	Green POWER; red ALARM
Status Output	Model 5090 FMS interface attachment; Model 4030 controller signals OK or system failure
Daisy-chain	Up to 4 units via transformer; up to 16 units via Model 4030 controller
Operating Env.	Temperature 15-50°C (59-122°F) recommended; relative humidity 20-65%
Maintenance	Emitter point cleaning at monthly to quarterly intervals, depending on environment; no adjustment or calibration required
Mounting	Can be mounted to any process tool or flowhood using 4 #6 screws
Enclosure	ABS
Dimensions	1.3H x 1.3W x 4.5L in. (3.3 x 3.3 x 11.4 cm)
Weight	3.44 oz (100.3g)
Warranty	Two year limited warranty
Certifications	   RoHS 2 Compliant
14-1536/14-1537 Transformers	
Input Voltage	120/230 VAC ±10%, 50/60 Hz, 35W
Output Voltage	V (max), 26.7 VAC (no load); V (min), 24 VAC ±5% (full load); 0 to 1.0A
Temperature	15-50°C (59-122°F)
Certifications	 14-1536  14-1537 both RoHS 2 Compliant

Ordering Information

91-4630EUR	QuadBar Ionizer
91-4030R	QuadBar Controller
14-1536	120 VAC (60 Hz) to 24 VAC Transformer, 10' cable, 6' US plug power cord
14-1537	230 VAC (50 Hz) to 24 VAC Transformer, 10' cable, IEC socket, requires power cord below
25-20710	IEC Power Cord (UK Plug), 8.2' (2.5m)
25-20735	IEC Power Cord (German Schuko Plug), 8.2' (2.5m)
25-20750	IEC Power Cord (China Plug), 8.2' (2.5m)

IsoStat Technology

Simco-Ion's IsoStat technology guarantees intrinsically balanced ionization and eliminates complicated feedback circuits. Ionizers incorporating this technology never need calibration and require very little maintenance. IsoStat is based on a law of physics, Conservation of Charge, which states that charge cannot be created or destroyed in an isolated system. By isolating the ionizer's emitter points from ground, IsoStat ensures equal numbers of positive and negative ions to better protect sensitive product.



QuadBar ionizers placed above and below the wafer accelerate discharge times on the front and back surfaces, regardless of airflow.

Power Flexibility

A number of different options exist for powering the QuadBar. These include the QuadBar Controller Model 4030, which powers up to four QuadBars at once, connection to a properly grounded 24 VAC power supply, or connection to a 24 VDC tool power supply (although with reduced ionization output). The power choices available for the QuadBar are designed to accommodate varying installation sizes and power needs, making the QuadBar a versatile and effective ionizer.

SIMCO ION™

An ITW Company

DS-4630_V8 - 1/15
© 2015 Simco-Ion
All rights reserved.

Simco-Ion

Technology Group
1601 Harbor Bay Pkwy, Ste 150
Alameda, CA 94502

Tel: 800.367.2452 (in USA)
Tel: 510.217.0600

info@simco-ion.com
www.simco-ion.com