

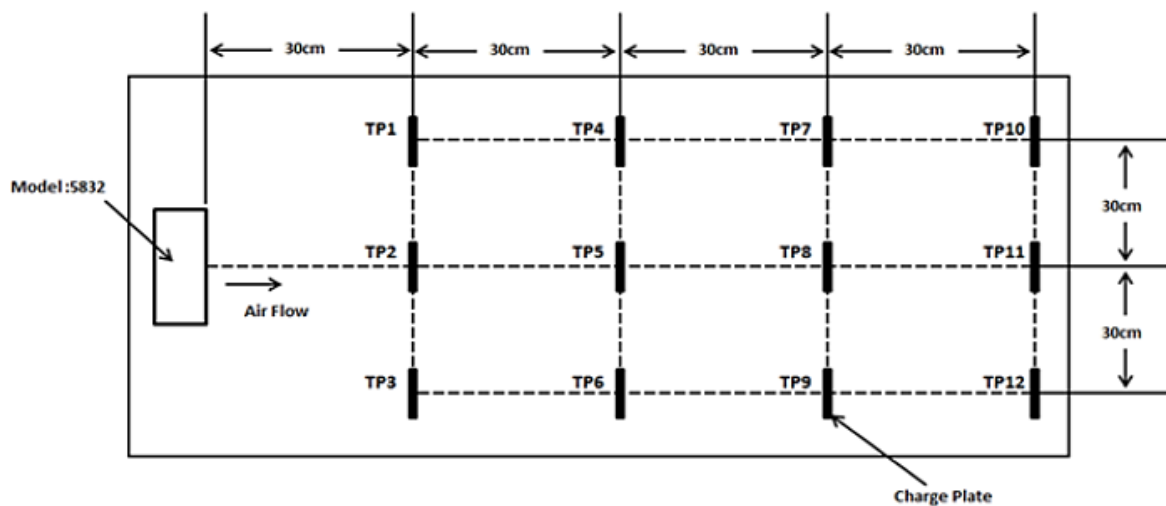
Performance Test

Critical Environment Benchtop Blower Model 5832

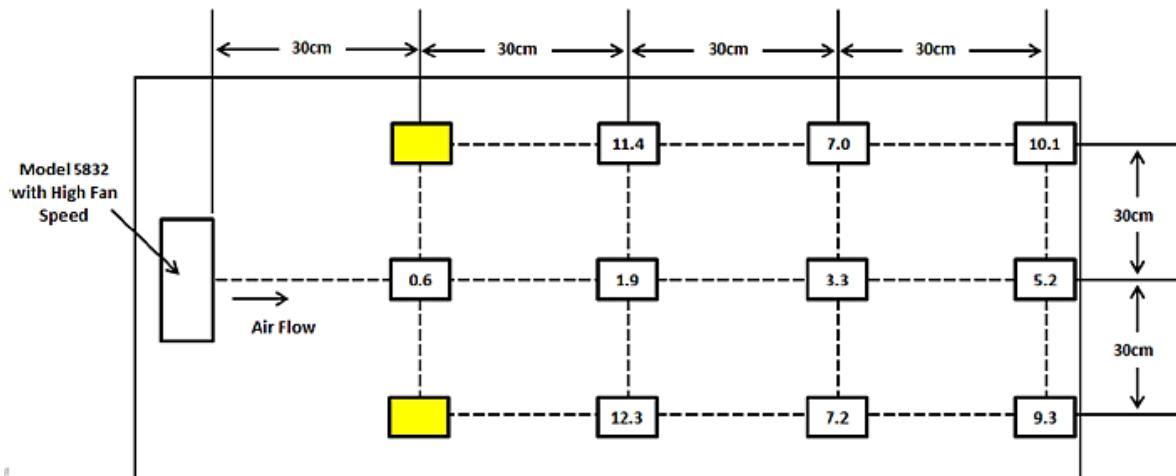
Product:	Model 5832 Critical Environment Benchtop Blower
Performance Test	Per ANSI/EDS STM 3.1-2015
Conditions	
Test equipment:	Simco-Ion Charge Plate Monitor Model 280A (S/N: 66176)
Test environment:	24°C, 49% RH
Test unit at 4 fan speeds:	High Medium-High Medium-Low Low

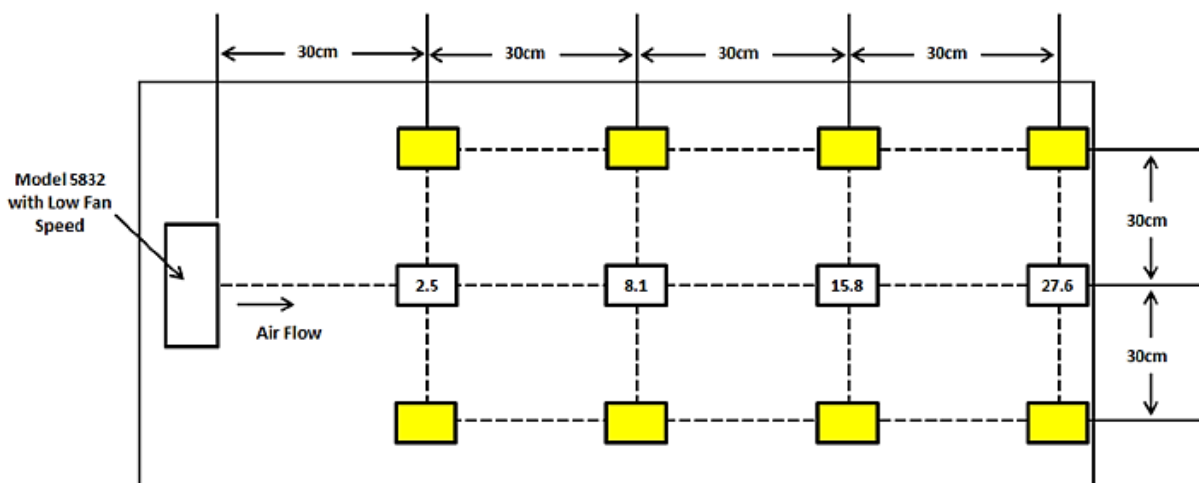
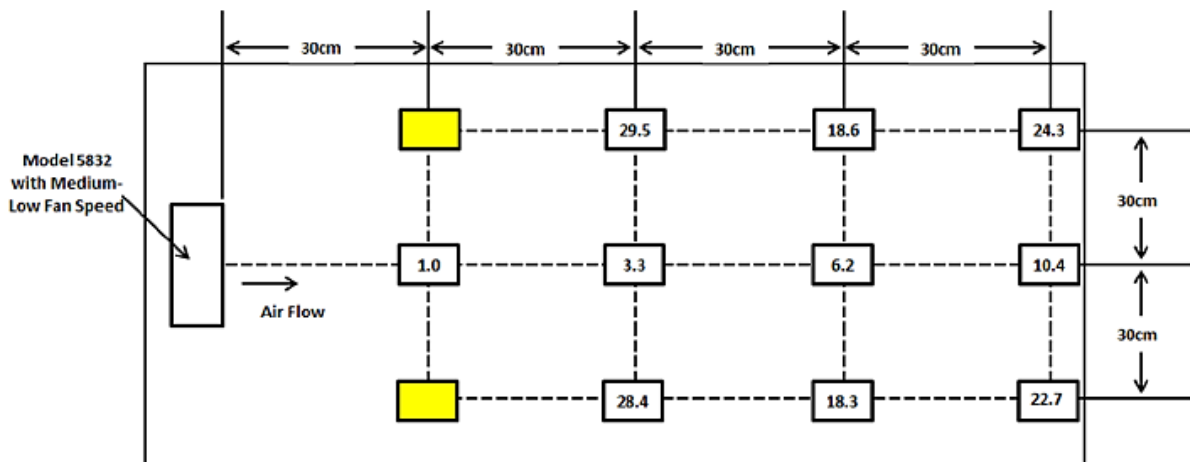
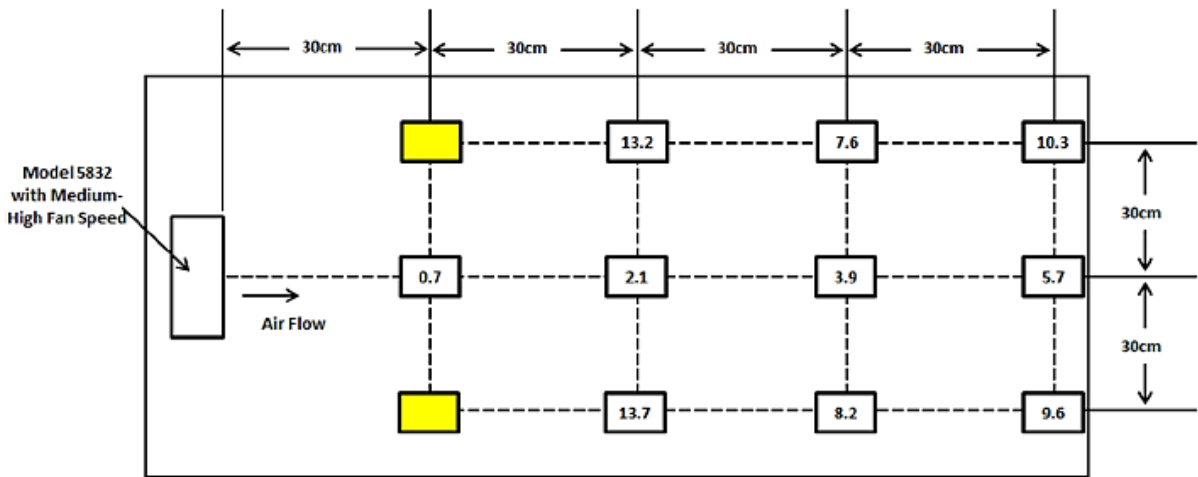
Offset voltages for all test locations are within ±3V

Performance test locations shown below:



Discharge time (sec) figures at each fan speed shown below:





Note: Cell marked in yellow without value input means decay time over 30 sec.

If you have any questions or need assistance, please contact Customer Service.