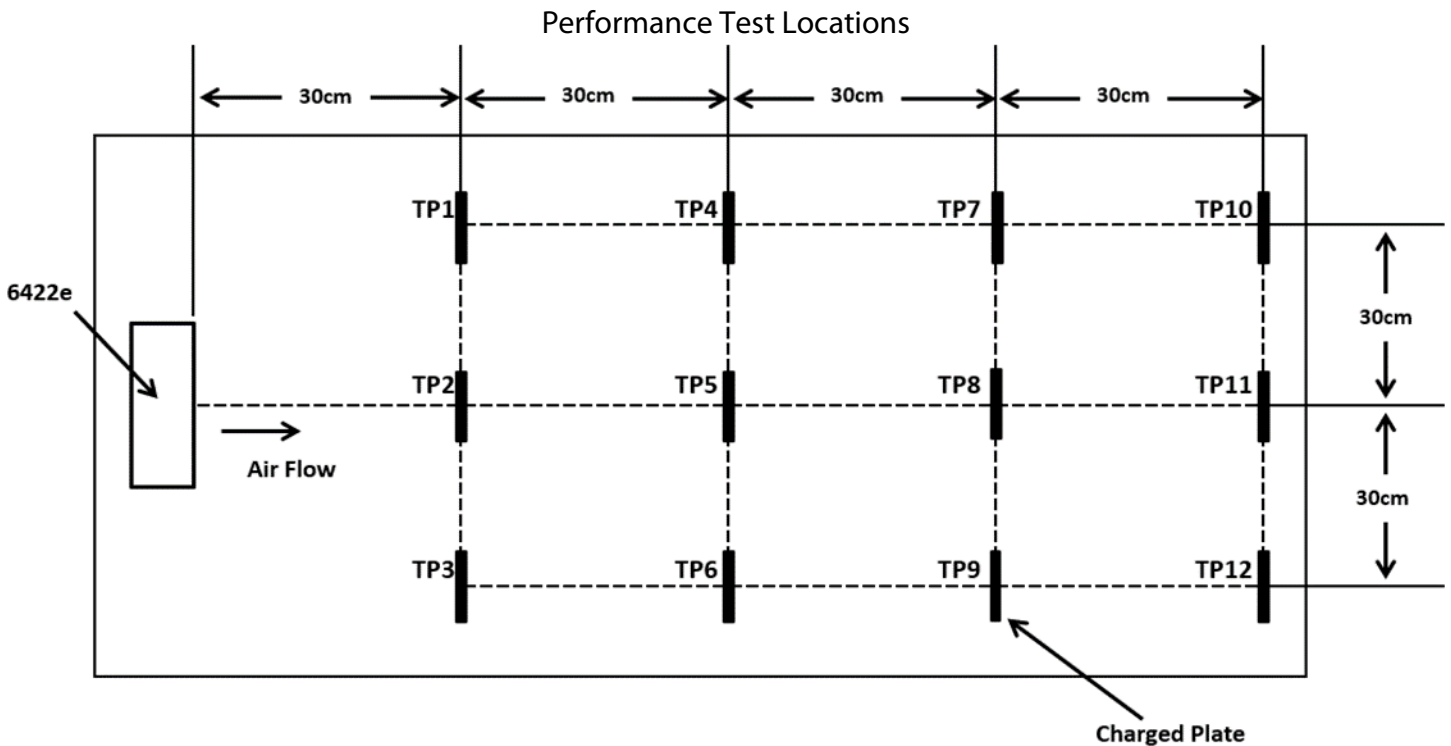
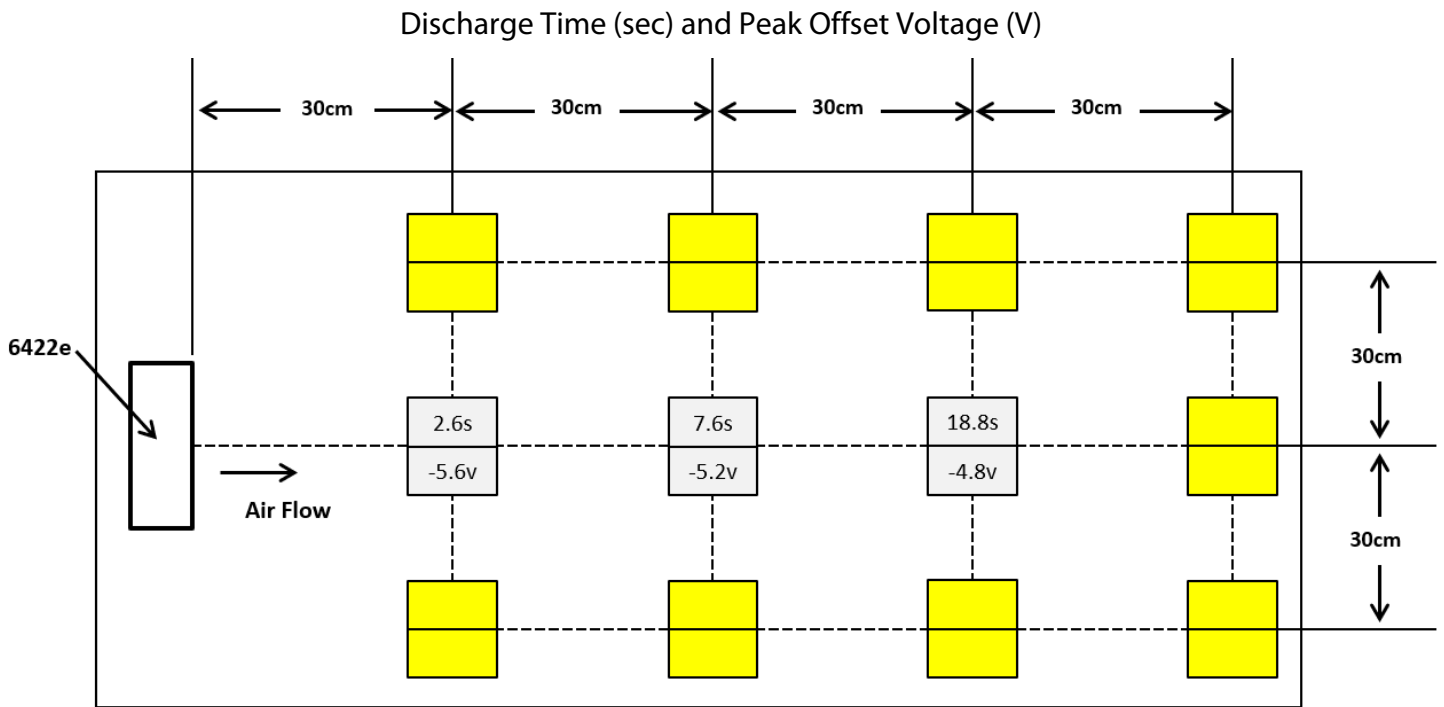


Performance Test

Point-of-Use Ionizing Air Blower Model 6422e

Product:	6422e
Performance Test:	Per ANSI/ESD STM 3.1-2015
Conditions:	
Test Equipment:	Simco-Ion Charge Plate Monitor Model 280A (S/N: 66175)
Test Environment:	22°C, 41% RH
Input Power:	24 VDC
Test Unit Fan Speed:	Fixed
Offset voltages for all test locations (except for yellow blank cells) are within ±20V	





Remarks:

Top value: Max decay times (+/--decay times)

Lower value: Max balance voltage

Yellow cell: Decay time >20 sec

If you have any questions or need assistance, please contact Customer Service.