

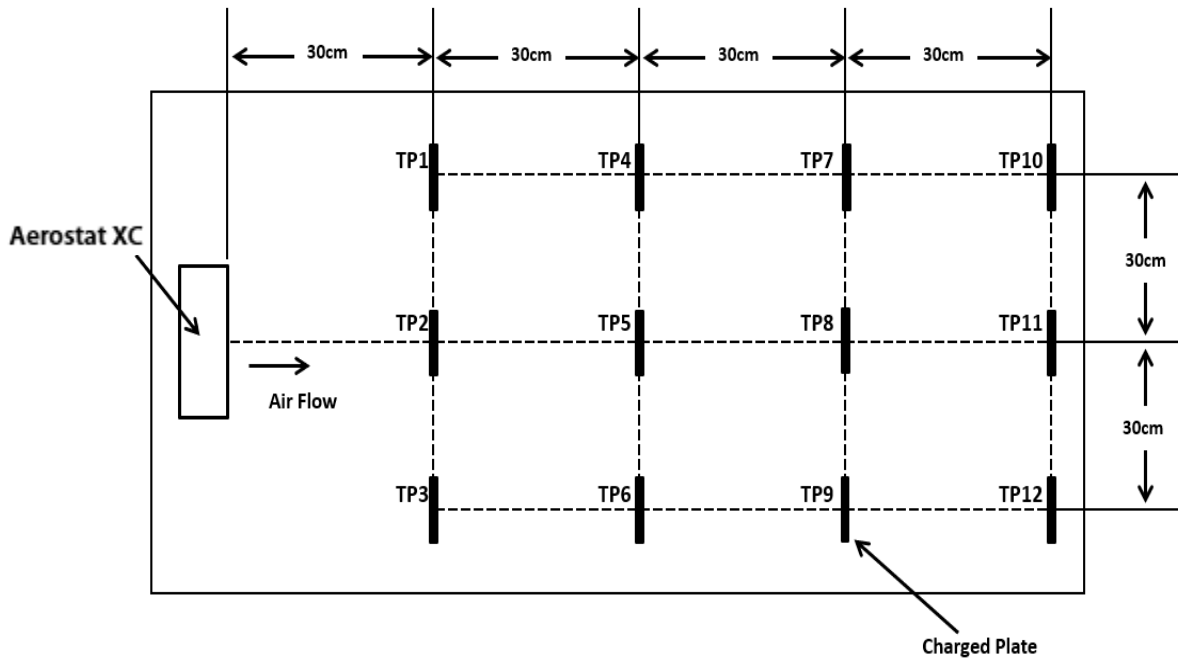
Performance Test

Extended Coverage Ionizing Blower Model XC

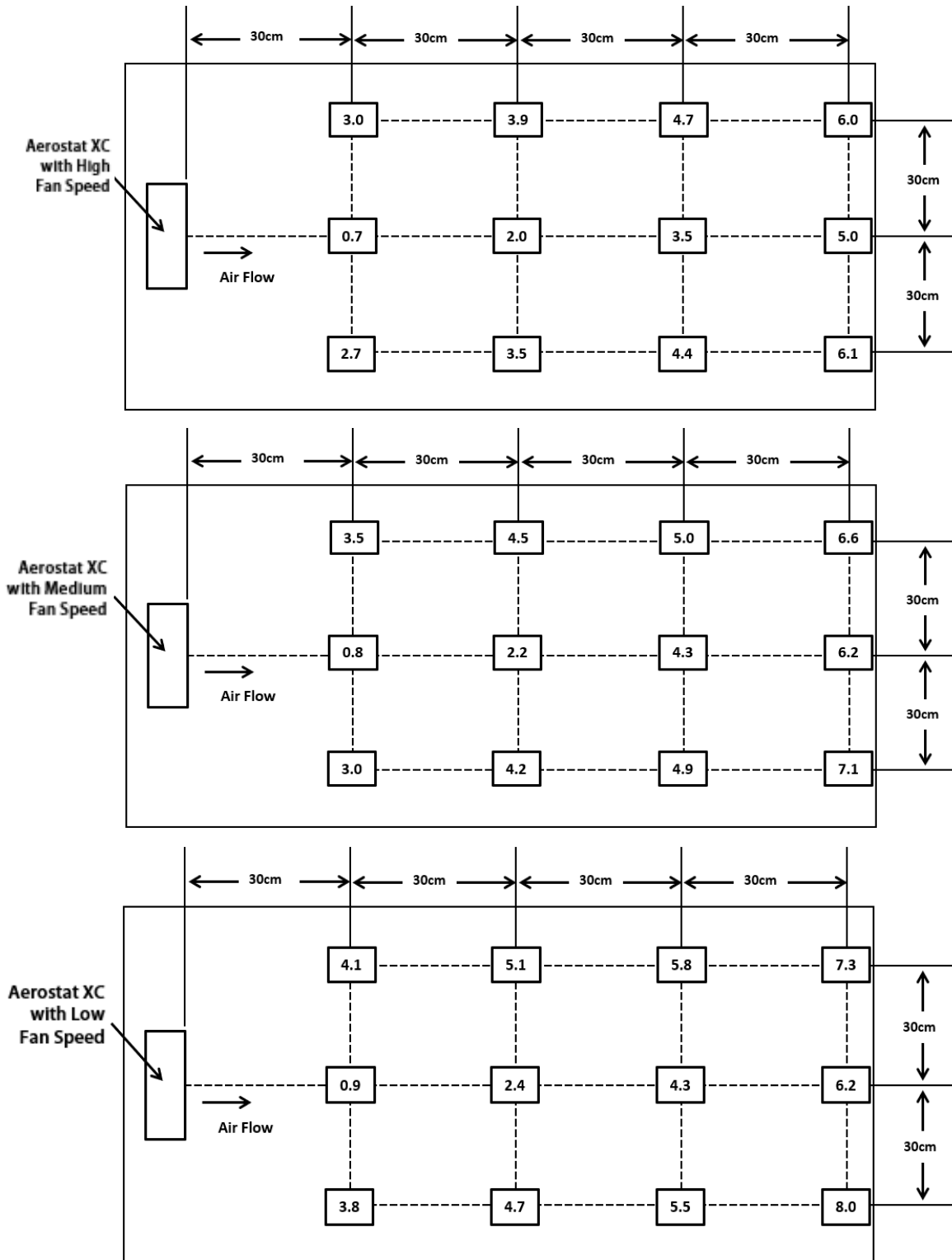
Product	Aerostat XC (no heater)
Performance Test	Per ANSI/ESD STM 3.1-2015
Conditions	
Test equipment:	Simco-Ion Charge Plate Monitor Model 280A (S/N: 66176)
Test environment:	21°C, 50% RH
Input Power:	230VAC, 50Hz
Test unit at 3 fan speeds:	High Medium Low

Offset voltages for all test locations are within $\pm 5V$

Performance test locations shown below:



Discharge time (sec) figures at each fan speed shown below:



If you have any questions or need assistance, please contact Customer Service.

Phone: 1-800-367-2452 or 1-510-217-0460

Email: saleservices@simco-ion.com